



AIRCRAFT WARNING LIGHT SYSTEMS

art. SEGS..L2K

medium intensity, omnidirectional, flashing red obstruction light

All legal rights in this document are the exclusive property of clampco and no part of it may be reproduced or communicated to any other party without our authorization. All data in this catalogue is for reference only and may be changed without notice, in line with our policy of continuous technical development.

The medium intensity flashing red obstruction light is available in single configuration (art. SEGS..L2K).

BULB

Light characteristics as ICAO Type B are obtained using LED array bulb. Powered by an electronic circuit at 48 Vdc or 230 Vac according to the model, enclosed within the junction box. Internal electronic circuits and lamp starters are tropicalized. Single beacon can be configured as an 'operating' or 'stand-by' device.

OPERATING CONDITIONS

- air temperature: from -30°C to +55°C
- moisture: 100% with condensation
- daytime operation (special applications) this device can operate even under direct solar radiation
- protection level: IP 55. A greater protection level can be provided on Customer request.

MECHANICAL STRUCTURE

- transparent polycarbonate cap, unbreakable (crash test energy = 20 J) and flame retardant. The cap is lens shaped to ensure the required light radiation pattern.
- cap holder and top cover made of aluminium alloy
- frame structure and junction box made of die cast aluminium alloy
- plug-in waterproof external connector for fast installation.

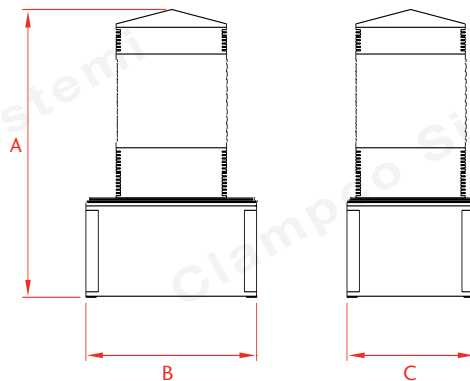
OPTIONS AVAILABLE

- flash synchronization
- other colours of LED sources
- hot-dip galvanized steel standard mounting hardware (art. SC5G.....)
- for light mounted on irradiating masts, add /CAGE to the obstruction light code (example: art. SEGS23L2K/CAGE)
- external cable for electrical connection of the frame to local ground (art. KTAC.....).

All the devices in this family comply with the applicable European Community Directives on Electromagnetic Compatibility 89/336 EEC and Low Voltage (safety) 73/23 EEC + 93/68 EEC.



SUPPLY CONFIGURATION



| Dimensions | Weight |
|------------|--------|
| mm | Kg |
| A:525 | 15.0 |
| B:310 | |
| C:235 | |

| Article | Bulb type | Bulb n° | Power supply V | M.T.B.F Mean Time Between Failures hours | Regulation Compliancy | Effective light intensity cd | Flash frequency n°/min. |
|-----------|-----------|---------|----------------|--|---|------------------------------|-------------------------|
| SEGS23L2K | Led array | 1 | 230Vac | 50.000 | Medium intensity type B/FAA lamp type L-864 | >2000 | 40/60 |
| SEGS48L2K | Led array | 1 | 48Vac | 50.000 | Medium intensity type B/FAA lamp type L-864 | >2000 | 40/60 |

