

LIGHTNING & GROUNDING PROTECTION

art. LKPI

lighting protection

Lightning protection consisting of an air-termination copper rod fixed to the top of the structure, sized to provide umbrella protection with an angle of not less than 90°.

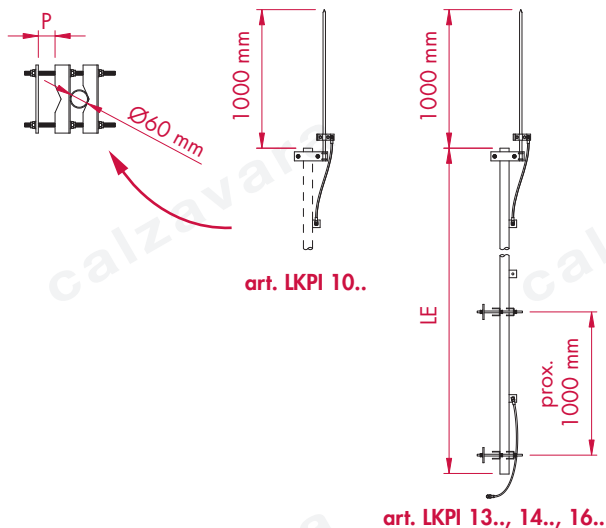
Kit comprises:

- air-termination copper rod $\varnothing 16$ mm
- lightning rod pipe support $\varnothing 60$ mm in hot-dip galvanized steel (for length more than 1 m)
- mounting bracket in hot-dip galvanized steel
- miscellaneous system accessories and fixing hardware

Non-standard products can be supplied to customers specific requirement.

Article	LE	P	P _{tube}
	mm	mm	mm
LKPI 1010	-	L60÷L100	$\varnothing 89 \div \varnothing 159$
LKPI 1015	-	L100÷L150	$\varnothing 159 \div \varnothing 219$
LKPI 1310	3000	L60÷L100	$\varnothing 89 \div \varnothing 159$
LKPI 1315	3000	L100÷L150	$\varnothing 159 \div \varnothing 219$
LKPI 1410	4000	L60÷L100	$\varnothing 89 \div \varnothing 159$
LKPI 1415	4000	L100÷L150	$\varnothing 159 \div \varnothing 219$
LKPI 1610	6000	L60÷L100	$\varnothing 89 \div \varnothing 159$
LKPI 1615	6000	L100÷L150	$\varnothing 159 \div \varnothing 219$

technical data



installation example

