

chimroof



Reducing environmental impact, for radio base stations in urban areas, has been tackled using the vast design experiences gained and by the thorough knowledge of materials for concealing structures.

Today, **calzavara**, offers to the market a wide range of low environmental impact products, such as artificial chimneys, structures having variable heights from 6 to 12 meters, used to conceal one or more mobile operators on the same station.

The structural part is formed by a steel pole divided into shafts, according to the total height of the structure. Each shaft has a maximum height of 3 meters and a weight of not greater than 100 kg to facilitate installation on building roofs. The square base frame, is fixed to the roof by chemical or expansion bolts to guarantee, in addition to the correct installation, an adequate load distribution over the roof surface. The frame dimensions vary according to that of the chimney and place of installation. The locking system allows to gain access inside of the chimney at various heights facilitating maintenance operations. The shrouding panels are of radio-electrically transparent material.

The standard chimney terminal is flat-shaped, but can also be supplied in different shapes, colour and size upon request. Colouring and surface, in the various standard versions is grey with a smooth surface. However, it is possible to supply innumerable colours, with external textures similar to bricks, natural stone, etc.



Design

Structural steel design according to the most recent European Standard. Designs to other International Standards (EIA, BS, NV65) available upon request.

- Design wind speed (Eurocode 1 - EN 1991) 28 m/s (q₁₀=1.2 kN/m²)
- Design wind speed (EIA 222) 160 km/h (q₁₀=1.2 kN/m²)
- Constant operational wind speed on entire height 100 km/h
- Top deflection (operational wind speed) <1°



Materials

The materials comply with the requirements of European Standards (EURONORM).

- Structural parts S355J0 (Fe 510 C) EN 10025
- S275JR (Fe 430 B) EN 10025
- Nuts and bolts class 8.8 EN 20898-1
- Summit shrouding fibreglass and plastic materials

All steel materials are protected by hot-dip galvanizing in accordance to Euronorm EN 1461 and ASTM A123 Standards.



Supply

Provides the minimum configuration required for commissioning of the **chimroof**, excluding radiant systems and mounts.

- Fixing plate including the roof installation kit (expansion or chemical anchor bolts)
- Galvanized supporting pole in one or more shafts
- Vertical cable tray
- Climbing ladder with rigid anchor line (EN 353-1 Norm)
- Shrouding panels in radio-electrically transparent material
- Camouflage cap
- Packing list, erection and maintenance instructions
- Packing

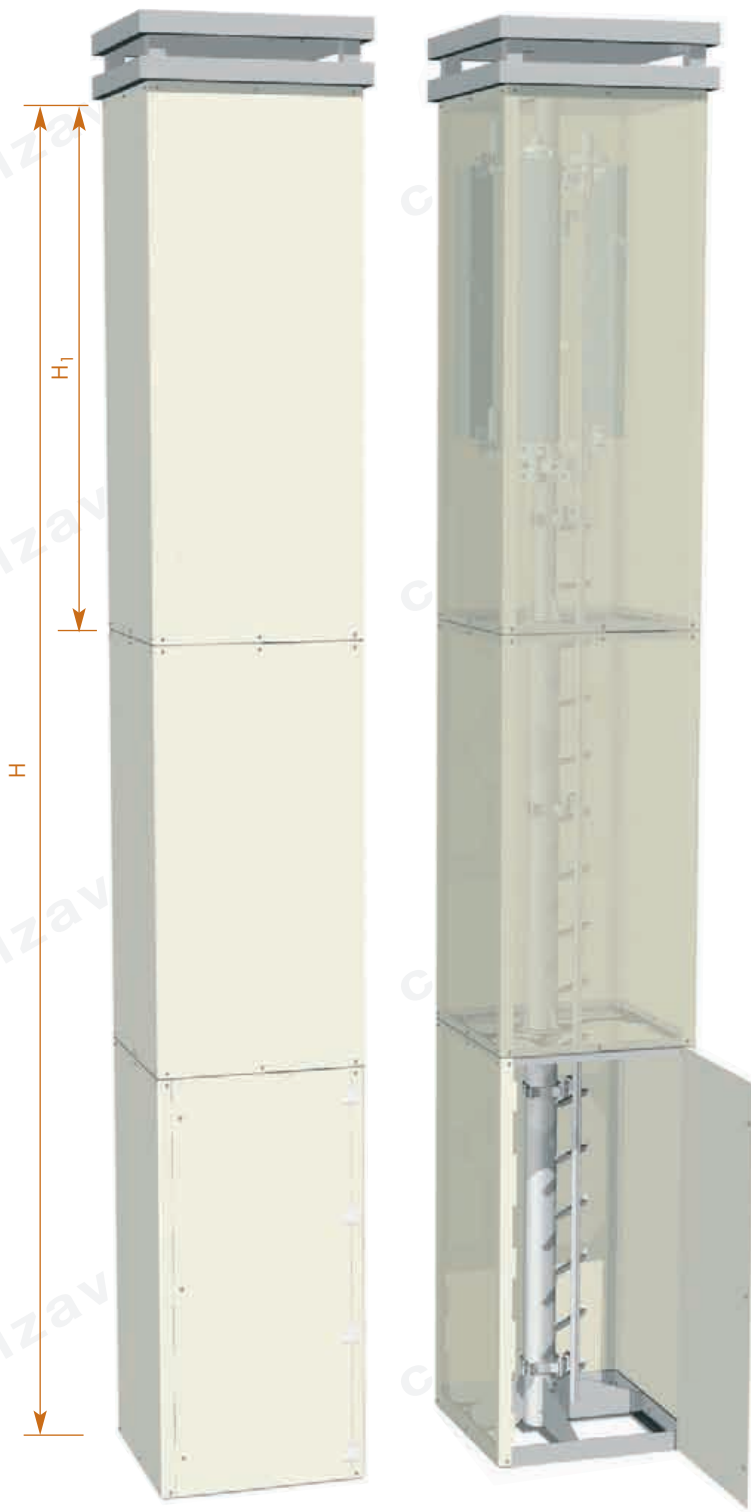
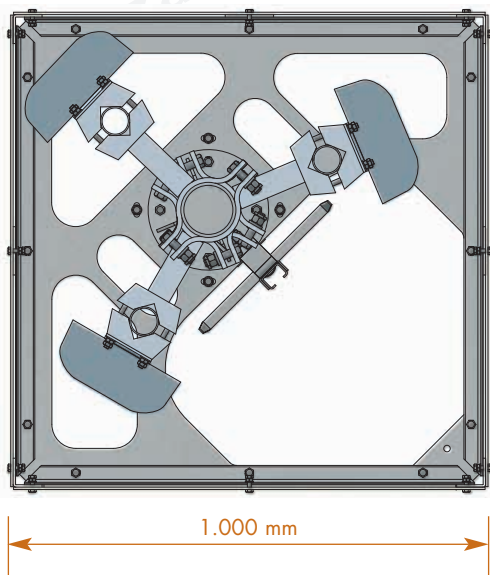
For a description of the accessories and ordering information, please refer to the **Accessories** catalogue.



All legal rights in this document are the exclusive property of calzavara and no part of it may be reproduced, or communicated to any other party without our authorization. All data in this catalogue is for reference only and may be changed without notice, in line with our policy of continuous technical development.



chimney internal details



Article	Structure height H m	Height of antenna mast H ₁ m	Gross weight tons	Packing volume m ³
CHSQ 0603	6.0	3.0	0.7	3.0
CHSQ 0903	9.0	3.0	1.0	3.5
CHSQ 0903	12.0	3.0	1.2	4.0

All legal rights in this document are the exclusive property of calzavara and no part of it may be reproduced or communicated to any other party without our authorization. All data in this catalogue is for reference only and may be changed without notice, in line with our policy of continuous technical development.

All legal rights in this document are the exclusive property of calzavara and no part of it may be reproduced, or communicated to any other party without our authorization. All data in this catalogue is for reference only and may be changed without notice, in line with our policy of continuous technical development.

